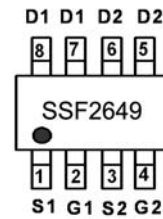
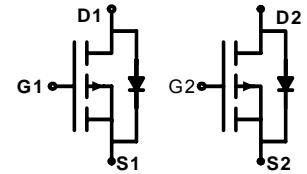


Main Product Characteristics:

V_{DSS}	-20V
$R_{DS(on)}$	49mohm(typ.)
I_D	-7.9A


SOP-8

Marking and pin Assignment

Schematic diagram
Features and Benefits:

- Advanced trench MOSFET process technology
- Special designed for PWM, load switching and general purpose applications
- Ultra low on-resistance with low gate charge
- Fast switching and reverse body recovery
- 150°C operating temperature


Description:

It utilizes the latest trench processing techniques to achieve the high cell density and reduces the on-resistance with high repetitive avalanche rating. These features combine to make this design an extremely efficient and reliable device for use in power switching application and a wide variety of other applications

Absolute max Rating:

Parameter	Symbol	Limit	Unit
Drain-Source Voltage	V _{DS}	-20	V
Gate-Source Voltage	V _{GS}	±10	V
Drain Current-Continuous@ Current-Pulsed (Note 1)	I _D	-7.9	A
	I _{DM}	-30	A
Maximum Power Dissipation	P _D	5	W
Operating Junction and Storage Temperature Range	T _J , T _{STG}	-55 To 150	°C

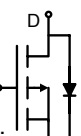
Thermal Resistance

Thermal Resistance,Junction-to-Ambient (Note 2)	R _{θJA}	85	°C/W
---	------------------	----	------

Electrical Characterizes @ $T_A=25^{\circ}\text{C}$ unless otherwise specified

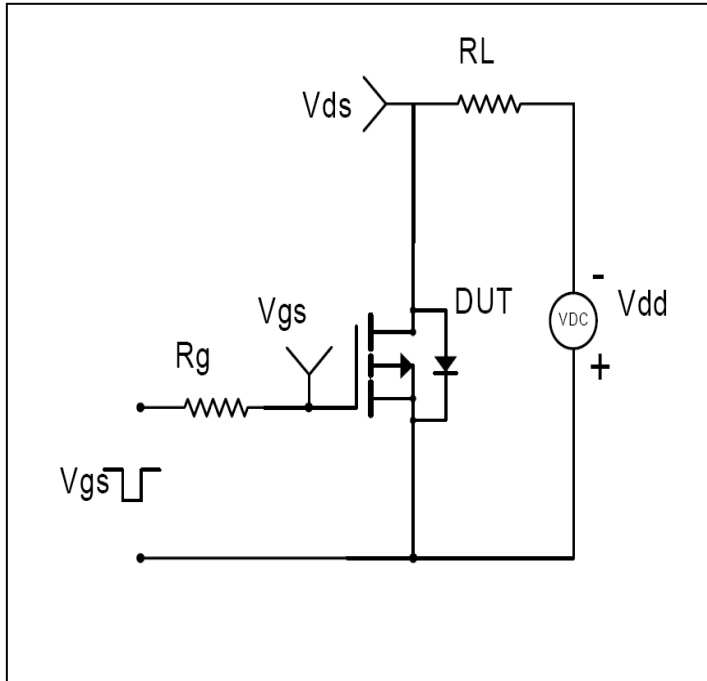
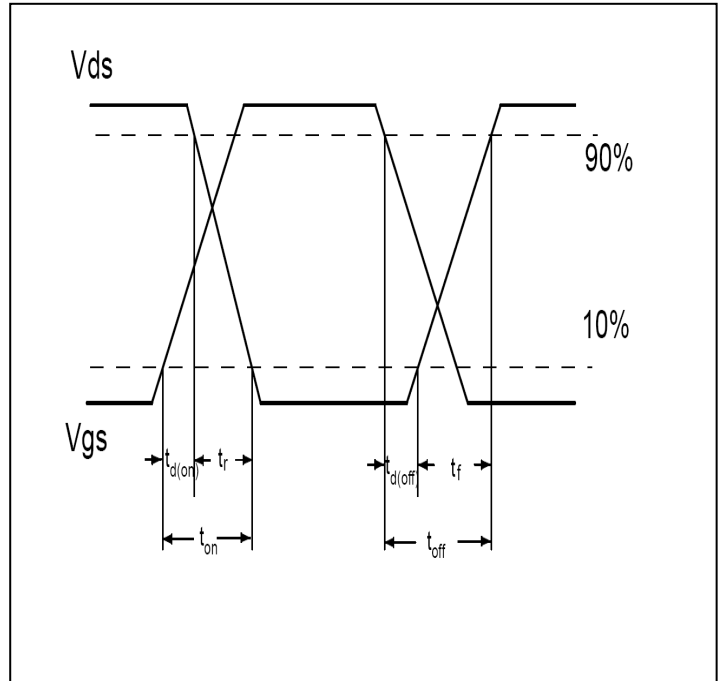
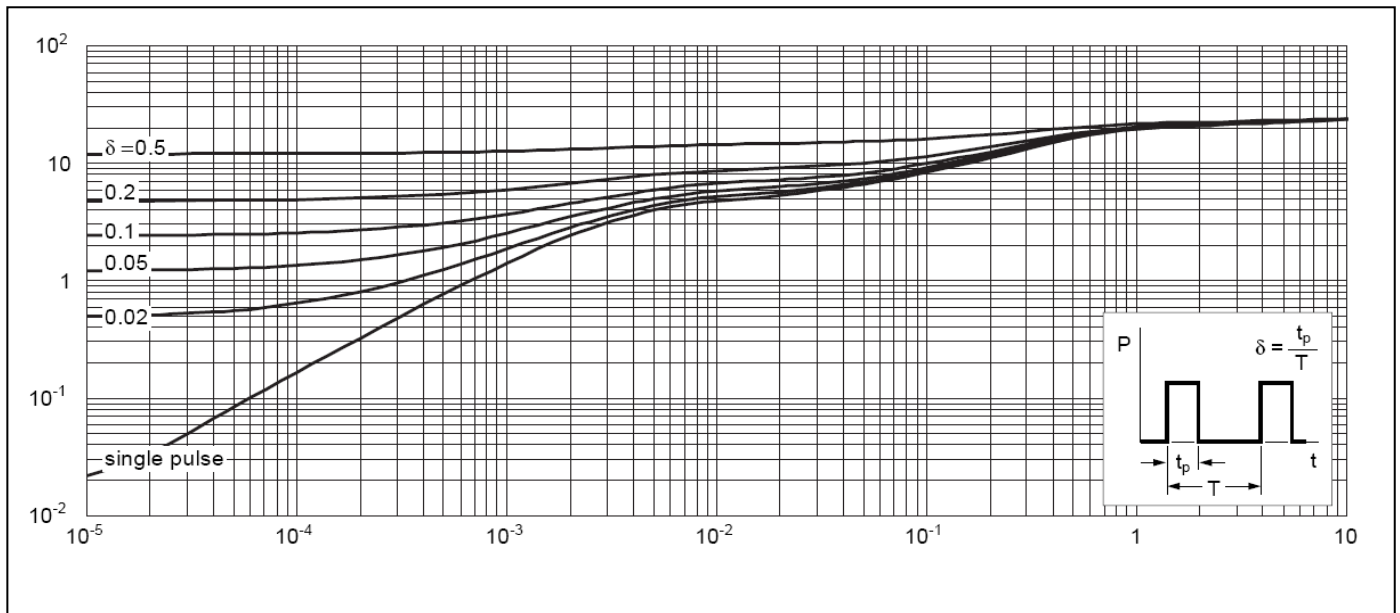
Symbol	Parameter	Conditions	Min	Typ.	Max.	Units	
	Drain-Source Breakdown Voltage	$V_{GS}=0V, I_D=-250\mu A$	-20			V	
	Zero Gate Voltage Drain Current	$V_{DS}=-20V, V_{GS}=0V$			-1	μA	
	Gate-Body Leakage Current	$V_{GS}=\pm 12V, V_{DS}=0V$			± 100	nA	
	Gate Threshold Voltage	$V_{DS}=V_{GS}, I_D=-250\mu A$	-0.7		-3.0	V	
	Drain-Source On-State Resistance	$V_{GS}=-4.5V, I_D=-2.9A$		49	58	m Ω	
		$V_{GS}=-2.7V, I_D=-1.5A$		82	98		
	Forward Transconductance	$V_{DS}=-5V, I_D=-5.3A$		-		S	
	Input Capacitance	$V_{DS}=-20V, V_{GS}=0V,$ $F=1.0\text{MHz}$		1040		PF	
	Output Capacitance				156		PF
	Reverse Transfer Capacitance				112		PF
	Turn-on Delay Time	$V_{DD}=-10V, I_D=-1A$ $V_{GS}=-4.5V, R_{GEN}=6\Omega$		9		nS	
	Turn-on Rise Time			8		nS	
	Turn-Off Delay Time			87		nS	
	Turn-Off Fall Time			38		nS	
	Total Gate Charge	$V_{DS}=-10V,$ $I_D=-4.7A, V_{GS}=-4.5V$		12		nC	
	Gate-Source Charge			2.7		nC	
	Gate-Drain Charge			1.5		nC	

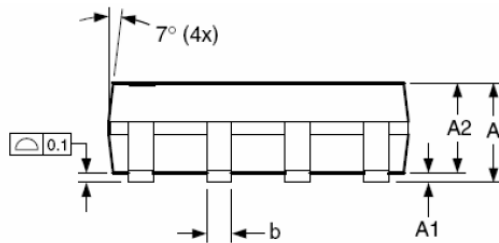
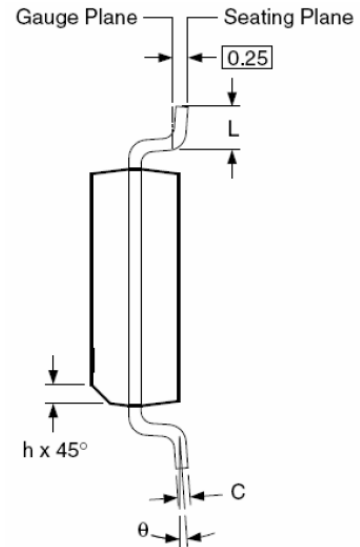
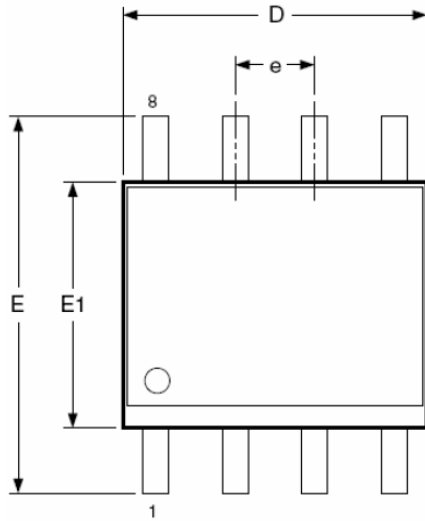
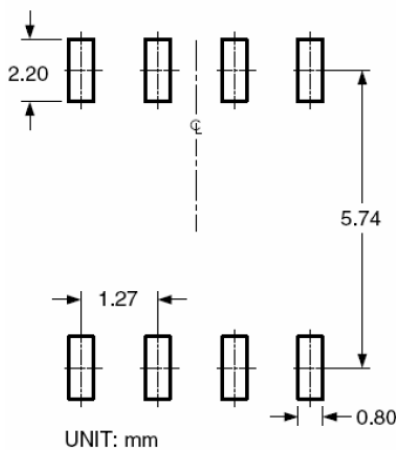
Source-Drain Ratings and Characteristics

Symbol	Parameter	Min.	Typ.	Max.	Units	Conditions
I_S	Continuous Source Current (Body Diode)	—	—	-7.9	A	MOSFET symbol showing the integral reverse p-n junction diode. 
I_{SM}	Pulsed Source Current (Body Diode)	—	—	-30	A	
V_{SD}	Diode Forward Voltage	—	—	-1	V	$I_S=-2.9A, V_{GS}=0V$

NOTES:

1. Repetitive Rating: Pulse width limited by maximum junction temperature.
2. Surface Mounted on FR4 Board, $t \leq 10$ sec.
3. Pulse Test: Pulse Width $\leq 300\mu s$, Duty Cycle $\leq 2\%$.
4. Guaranteed by design, not subject to production testing.

TYPICAL ELECTRICAL AND THERMAL CHARACTERISTICS

Figure 1: Switching Test Circuit

Figure 2: Switching Waveforms

Figure3. Maximum Effective Transient Thermal Impedance, Junction-to-Case

Mechanical Data:

RECOMMENDED LAND PATTERN

Dimensions in millimeters

Symbols	Min.	Nom.	Max.
A	1.35	1.65	1.75
A1	0.10	—	0.25
A2	1.25	1.50	1.65
b	0.31	—	0.51
c	0.17	—	0.25
D	4.80	4.90	5.00
E1	3.80	3.90	4.00
e	1.27 BSC		
E	5.80	6.00	6.20
h	0.25	—	0.50
L	0.40	—	1.27
θ	0°	—	8°

Dimensions in inches

Symbols	Min.	Nom.	Max.
A	0.053	0.065	0.069
A1	0.004	—	0.010
A2	0.049	0.059	0.065
b	0.012	—	0.020
c	0.007	—	0.010
D	0.189	0.193	0.197
E1	0.150	0.154	0.157
e	0.050 BSC		
E	0.228	0.236	0.244
h	0.010	—	0.020
L	0.016	—	0.050
θ	0°	—	8°

NOTES:

1. Dimensions are inclusive of plating
2. Package body sizes exclude mold flash and gate burrs. Mold flash at the non-lead sides should be less than 6 mils.
3. Dimension L is measured in gauge plane.
4. Controlling dimension is millimeter; converted inch dimensions are not necessarily exact.

Ordering and Marking Information
Device Marking: SSF2649

Package (Available)
SOP-8
Operating Temperature Range
C : -55 to 150 °C

Devices per Unit

Package Type	Units/Tube	Tubes/Inner Box	Units/Inner Box	Inner Boxes/Carton Box	Units/Carton Box
SOP-8	2500	2	5000	8	40000

Reliability Test Program

Test Item	Conditions	Duration	Sample Size
High Temperature Reverse Bias(HTRB)	$T_j=125^{\circ}\text{C}$ or 150°C @ 80% of Max $V_{DSS}/V_{CES}/V_R$	168 hours 500 hours 1000 hours	3 lots x 77 devices
High Temperature Gate Bias(HTGB)	$T_j=125^{\circ}\text{C}$ or 150°C @ 100% of Max V_{GSS}	168 hours 500 hours 1000 hours	3 lots x 77 devices

ATTENTION:

- Any and all Silikron products described or contained herein do not have specifications that can handle applications that require extremely high levels of reliability, such as life-support systems, aircraft's control systems, or other applications whose failure can be reasonably expected to result in serious physical and/or material damage. Consult with your Silikron representative nearest you before using any Silikron products described or contained herein in such applications.
- Silikron assumes no responsibility for equipment failures that result from using products at values that exceed, even momentarily, rated values (such as maximum ratings, operating condition ranges, or other parameters) listed in products specifications of any and all Silikron products described or contained herein.
- Specifications of any and all Silikron products described or contained herein stipulate the performance, characteristics, and functions of the described products in the independent state, and are not guarantees of the performance, characteristics, and functions of the described products as mounted in the customer's products or equipment. To verify symptoms and states that cannot be evaluated in an independent device, the customer should always evaluate and test devices mounted in the customer's products or equipment.
- Silikron Semiconductor CO.,LTD. strives to supply high-quality high-reliability products. However, any and all semiconductor products fail with some probability. It is possible that these probabilistic failures could give rise to accidents or events that could endanger human lives, that could give rise to smoke or fire, or that could cause damage to other property. When designing equipment, adopt safety measures so that these kinds of accidents or events cannot occur. Such measures include but are not limited to protective circuits and error prevention circuits for safe design, redundant design, and structural design.
- In the event that any or all Silikron products(including technical data, services) described or contained herein are controlled under any of applicable local export control laws and regulations, such products must not be exported without obtaining the export license from the authorities concerned in accordance with the above law.
- No part of this publication may be reproduced or transmitted in any form or by any means, electronic or mechanical, including photocopying and recording, or any information storage or retrieval system, or otherwise, without the prior written permission of Silikron Semiconductor CO.,LTD.
- Information (including circuit diagrams and circuit parameters) herein is for example only ; it is not guaranteed for volume production. Silikron believes information herein is accurate and reliable, but no guarantees are made or implied regarding its use or any infringements of intellectual property rights or other rights of third parties.
- Any and all information described or contained herein are subject to change without notice due to product/technology improvement, etc. When designing equipment, refer to the "Delivery Specification" for the Silikron product that you intend to use.
- This catalog provides information as of Dec, 2008. Specifications and information herein are subject to change without notice.

Customer Service**Worldwide Sales and Service:**

Sales@silikron.com

Technical Support:

Technical@silikron.com

Suzhou Silikron Semiconductor Corp.

Building 11A Suchun Industrial Square, 428# Xinglong Street, Suzhou P.R. China

TEL: (86-512) 62560688

FAX: (86-512) 65160705

E-mail: Sales@silikron.com